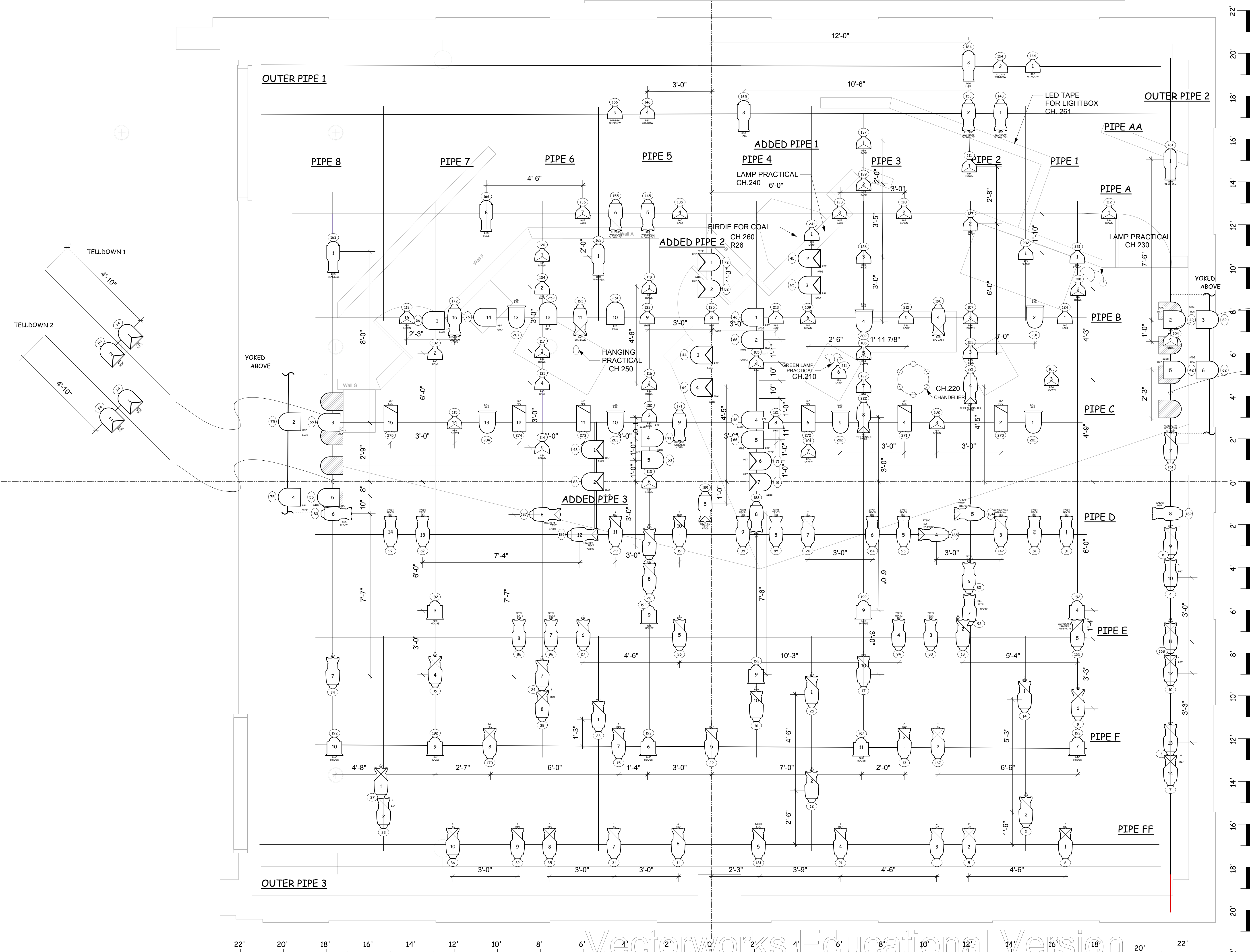


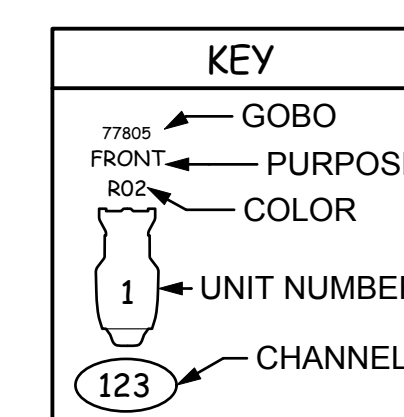
GENERAL NOTES

- PROVIDE DIFFUSION FOR ALL ELLIPSOIDALS (EXCLUDING TEXTURES)
- PROVIDE BARDOORS FOR S4 PAR UNITS ON BOOMS
- SET MOUNTS TO BE PLACED ONSITE BY DESIGNER



LEGEND

- EC-1
- S4 19 DEG
- S4 26 DEG
- S4 36 DEG
- S4 50 DEG
- S4 PAR WFL
- S4 PAR MFL
- PAR 64 MFL
- PAR 64 WFL
- 1KL6-20
- 1KL6-30
- ALT 360Q 6x9
- 6" FRESNEL
- COLORTAN ZOOM
- COLOR SCROLLER
- BIRDIE
- MINIWASH MOVER



IN THE NEXT ROOM or THE VIBRATOR PLAY

PLATE: 1 OF 2 ELECTRICS HANGING PLAN

USI MALLETTE STUDIO THEATRE	DIRECTOR: ELLIOT WASSERMAN DESIGNER: ZACH GENT LIGHTING DESIGNER: ERIK MCCANDLESS
SCALE: 1/2" = 1'0"	DATE: 3/6/2013 DRAWN BY: E.A.M.