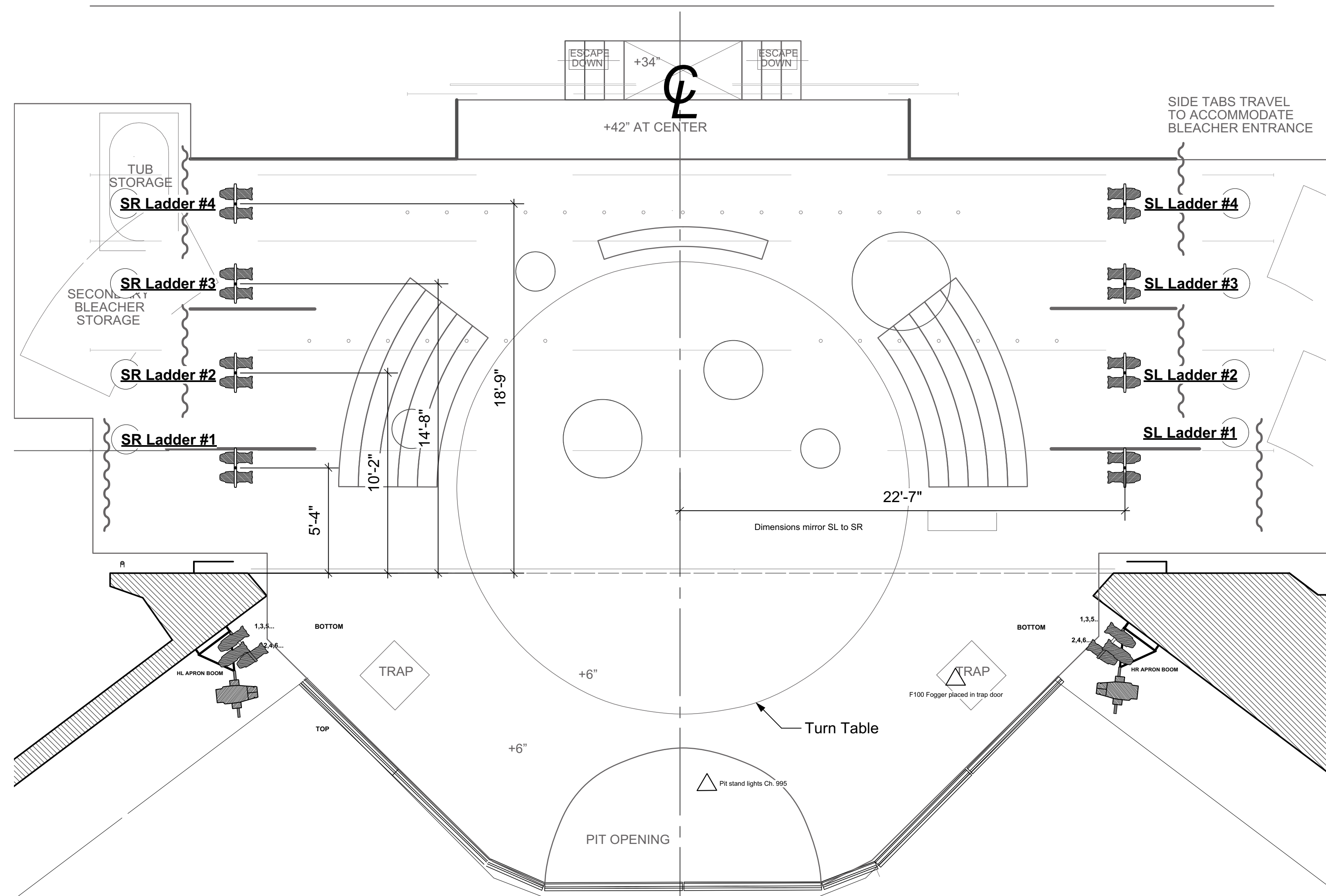
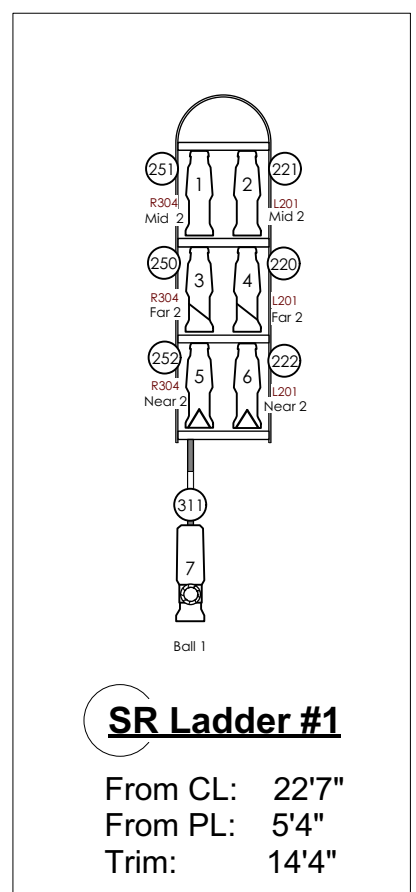
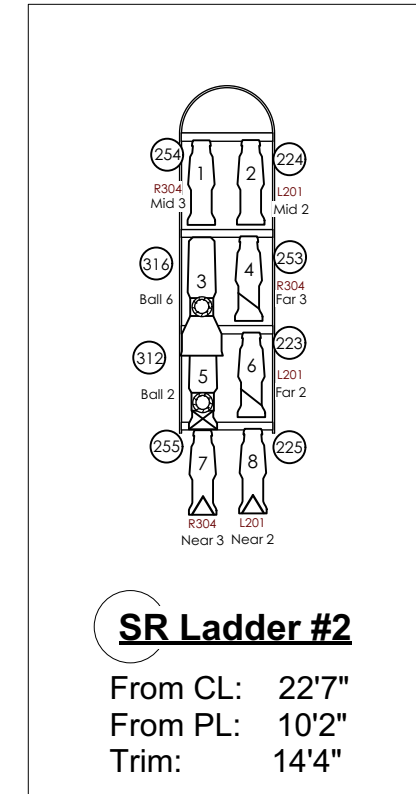
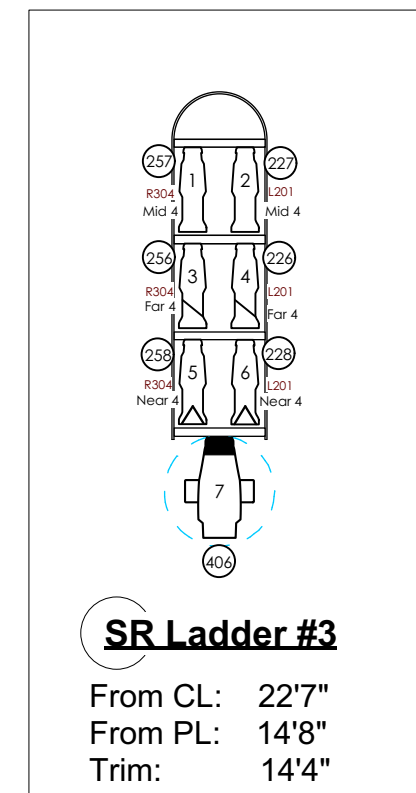
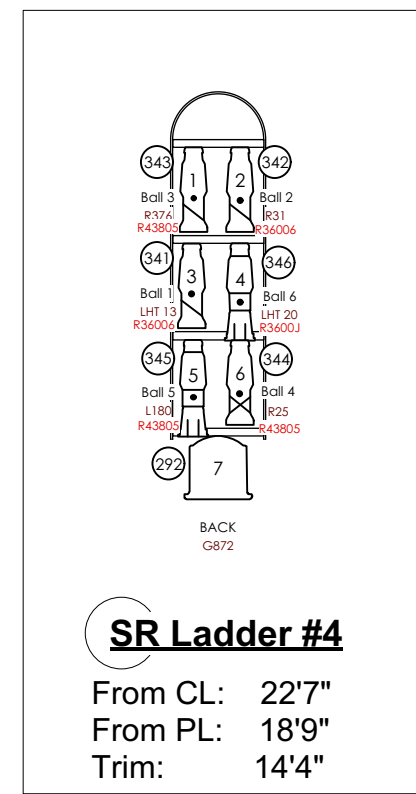


Ladders 1, 2, and 4 to be hung via chain motors.
 3 will pipe down from above.
 Trim at 14'4" from bottom of ladder.
 All ladders drawn as front viewed from center stage.



FIXTURE	WATTAGE	CHANNEL NUMBER	DESCRIPTION
Lamp Post	-	431	Wireless RGB Lamp
Star Drop	-	451	Fiber Optic Drop
Circle Chase lights	-	471-478	8 circuit chase around US circle

NOTES:

- Have R132 or R119 available for all Source 4's without template
- Provide plenty of cable length for roving booms and onstage practicals
- Have tophats and barndoors available
- Radiance Hazer to be placed on the Midgal SR Channel 420

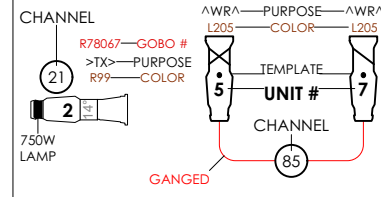
KEY TO INSTRUMENTATION

- 5 Degree ETC Source 4 - 575 W
- 10 Degree ETC Source 4 - 575 W
- 14 Degree ETC Source 4 - 575 W
- 19 Degree ETC Source 4 - 575 W
- 26 Degree ETC Source 4 - 575 W
- 34 Degree ETC Source 4 - 575 W
- 50 Degree ETC Source 4 - 575 W
- 90 Degree ETC Source 4 - 575 W
- 5 Degree ETC Source 4 LED Profile 2
- 10 Degree ETC Source 4 LED Profile 2
- 14 Degree ETC Source 4 LED Profile 2
- 19 Degree ETC Source 4 LED Profile 2
- 26 Degree ETC Source 4 LED Profile 2
- 34 Degree ETC Source 4 LED Profile 2
- 50 Degree ETC Source 4 LED Profile 2
- 90 Degree ETC Source 4 LED Profile 2
- Source 4 PAR WFL 575-w
- 12' Fresnel 5kw
- PAR 64 MFL 1kw
- ETC Selector VIVID-R
- Color Chorus F2
- SoloFrame 2000 500w
- VL1100-TS 1000w
- VL1100-A3 575w
- VL2500 Wash 700w
- VL3000 Spot 1200w

ACCESSORIES

- 18' Sidearm
- Barndoor
- Wytron CM 10' Scroller
- Sk Scroller
- Top Hat
- Hoff Hat
- Combo Rotator
- ITS
- 750 W

TYPICAL



DESIGNER: Erik McConless
 ASSISTANT LD 1: Frank Vinkup
 ASSISTANT LD 2: Rachel Blankwell
 ME: Chris Dieringer
 RLD: James St. George
 RME: Adam Zank
 DATE: 9/11/2017
 SCALE: 1/4" = 1'-0"
 DRAFTED BY: BAM

Ladders & Practicals

